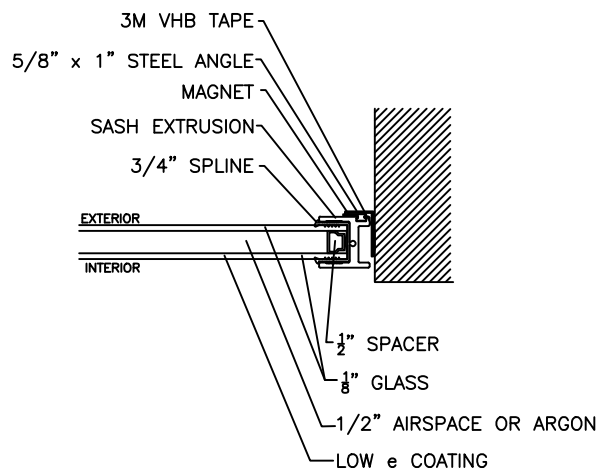
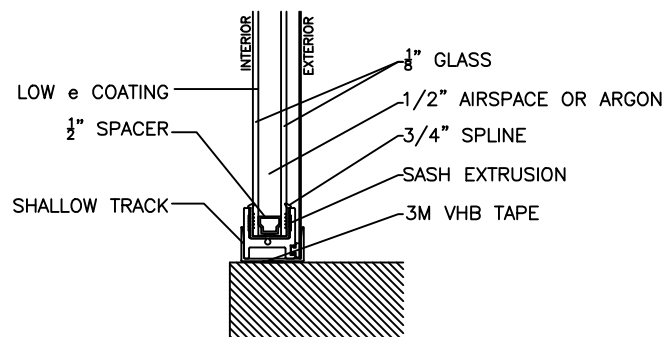


1 HEAD DETAIL
SCALE: 3"=1'-0" ARCH. REF.:



2 JAMB DETAIL
SCALE: 3"=1'-0" ARCH. REF.:



3 SILL DETAIL
SCALE: 3"=1'-0" ARCH. REF.:

NOTE: MINIMAL MECHANICAL FASTENING MAY BE REQ'D.

NO.	REV.	DATE	DESCRIPTION
PROJECT NAME: -			
CONTRACTOR: -			
ENG. APPR: -	DATE: -		
DRAWN BY: DB	DATE: 5-26-16		
SCALE: 3" = 1'-0"			
DRAWING TITLE: RETROWAL - GOLD			
SHEET NO: 1			